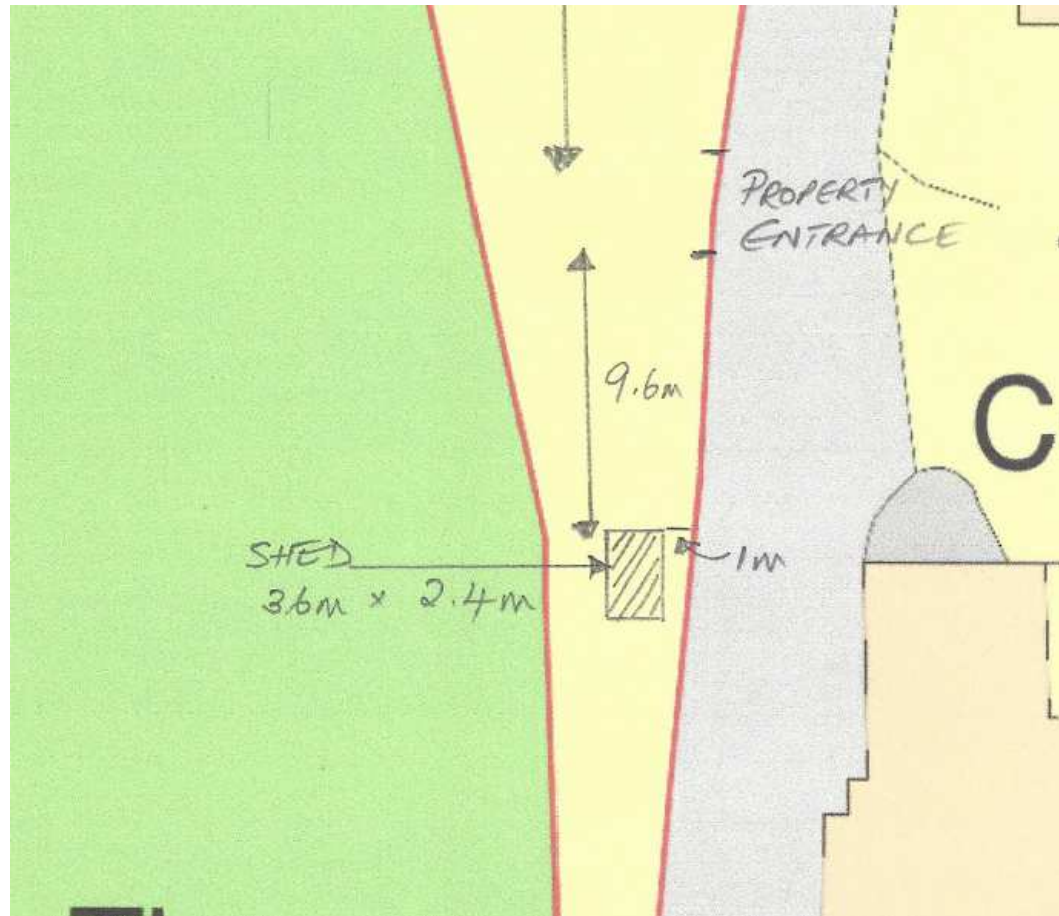
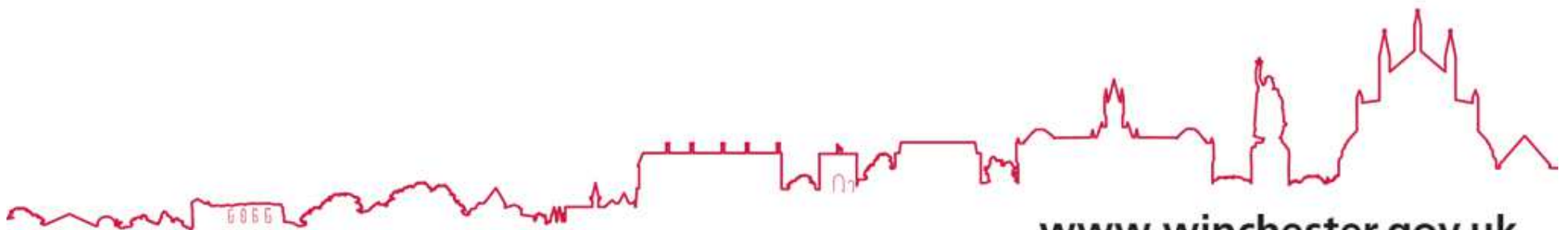
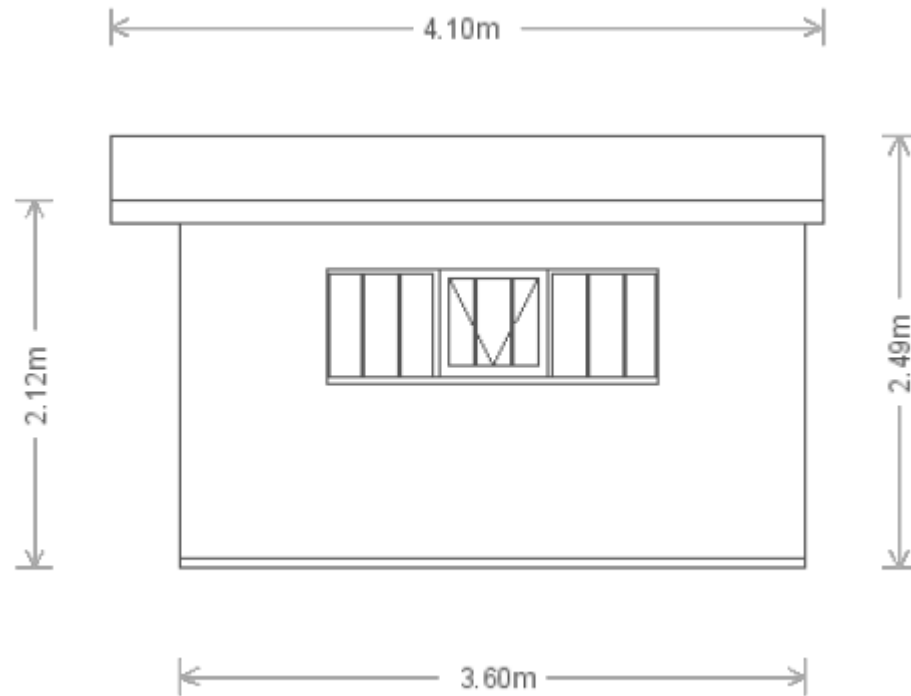


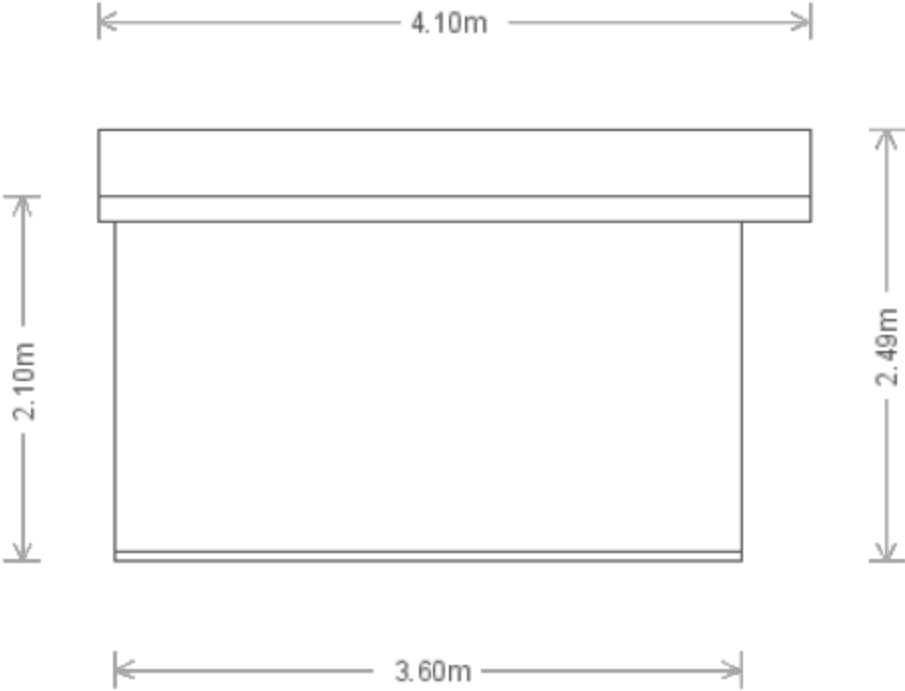
Proposed position of building



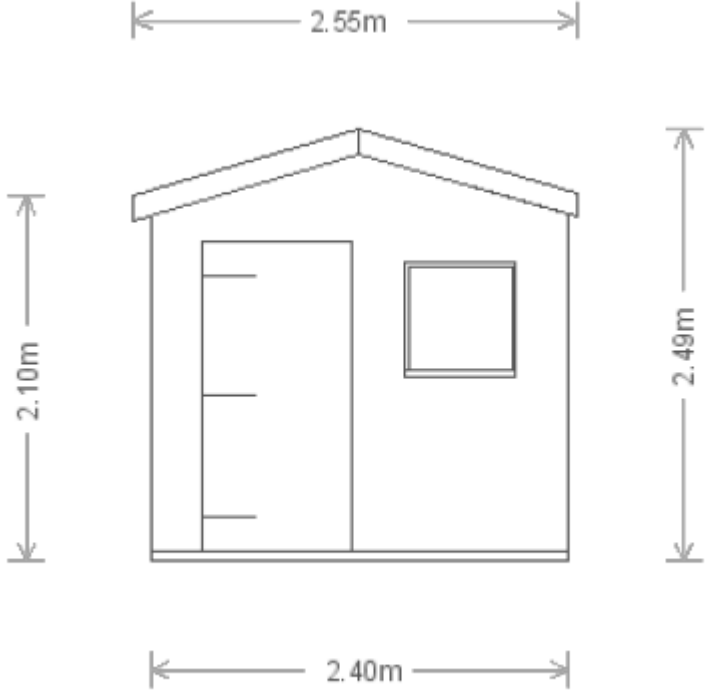
Elevation



Elevation



Elevation



Elevation

